

# Ethernet Port Distributor DIS-300 specification

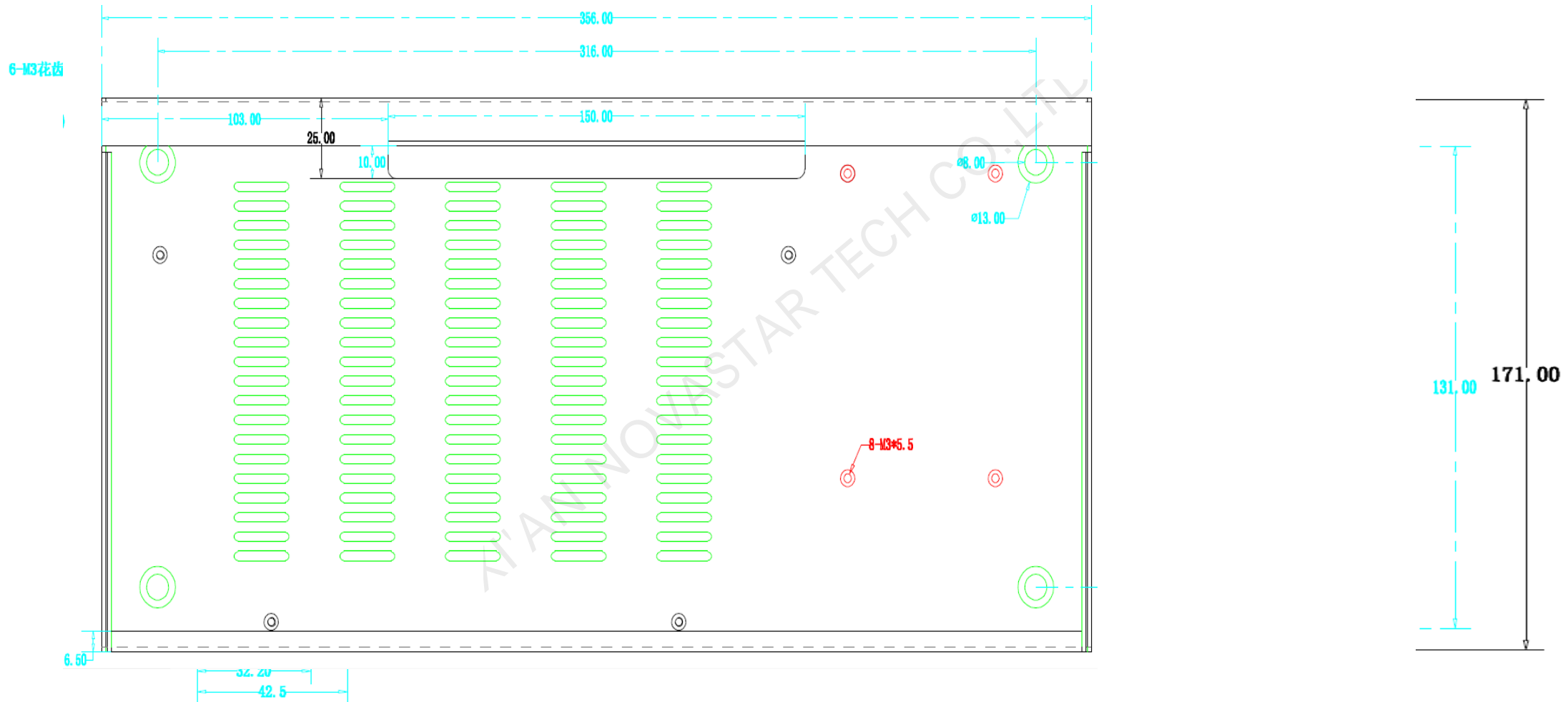
Ver 1.0.0 2014-3-28

## 1 Introduction



DIS-300 is specialized for multi-screens and super large led screens. The card possesses two input ports and eight output ports, enabling that one split to eight and two split to four. Functions change automatically. Each RJ45 port can be independently adjusted, and support read back parameters from scan board.

## 2 Dimensions and interface



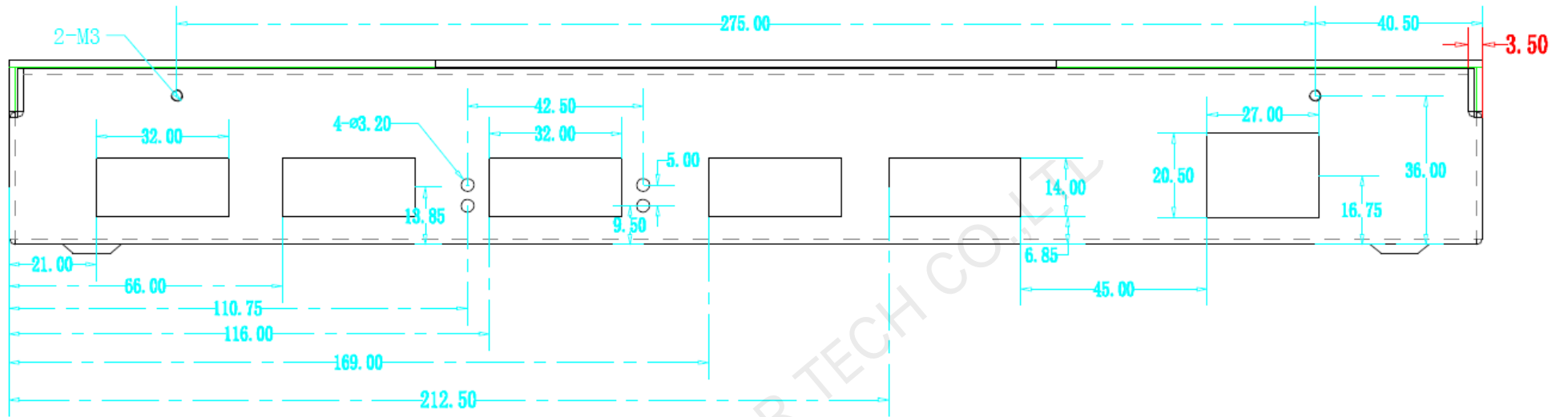


Fig. 2-1 DIS-300 Dimensions

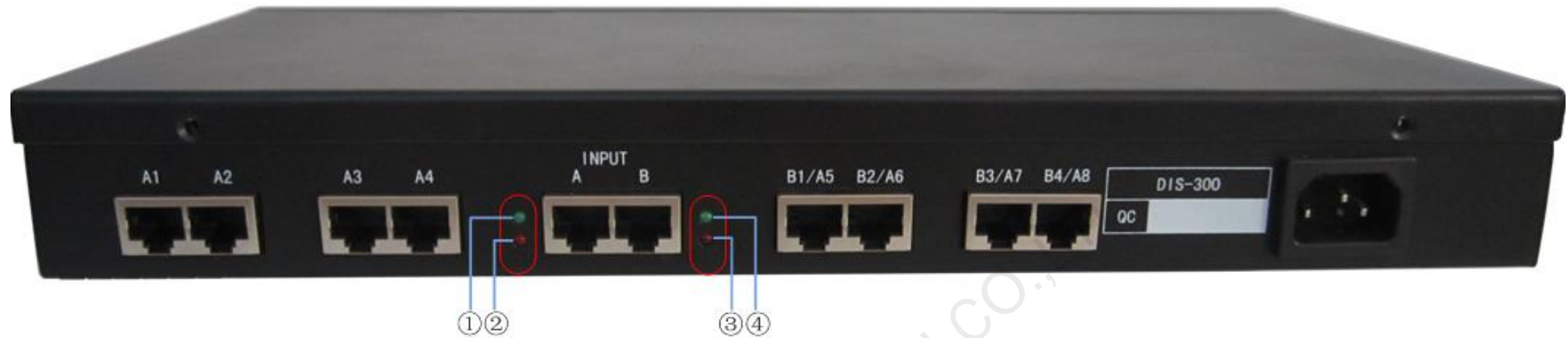


Fig. 2-2 DIS-300 Interface

Note: Product images provided in this file are for reference only, and the actual products shall prevail.

**A / B:** input port, connect to sending boards with network cable.

①/④: They blink when the A / B port access system, not access system, lights is on .

②/③: power indicator.

One split eight modes:

A1 ~ A8: A split eight ports.

Two split four modes:

A1 ~ A4: A split four ports.

B1 ~ B4: B split four ports.

### 3 Working conditions

Rated voltage (V)	5	Maximum	6	Minimum	4.7
Rated current (A)	0.68	Maximum	1.0	Minimum	0.29
Rated power (W)	3.40	Maximum	6.0	Minimum	1.363
Temperature of working environment (°C)	-20°C~75°C				
Humidity of working environment (%)	0%~95%				